

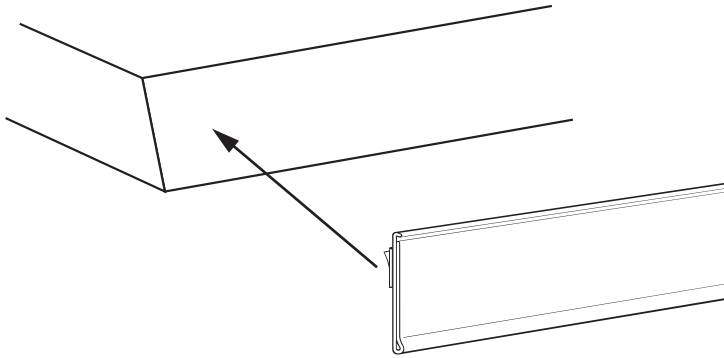
Data Strip® Economy Self-Adhesive Label Holder DSE-200

Installation Instructions



1. Clean the shelf

You must start with a clean, dry surface. Clean shelf with isopropyl alcohol.



2. Adhere Label Holder to shelf

Remove liner from back of Label Holder. Adhere to shelf. Press firmly.



3. Insert UPC tag

Open window and insert UPC tag. Installation is complete.

20190410

For more information,
call **800.422.2547**
visit **www.siffron.com**

siffron[™]
always on